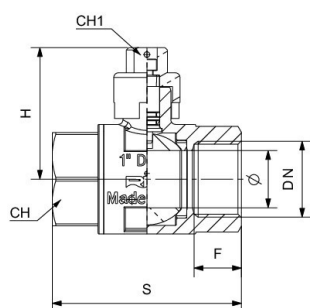




RIV 4227

Ball valve F/F heavy type
 full bore
 brass sealing cap

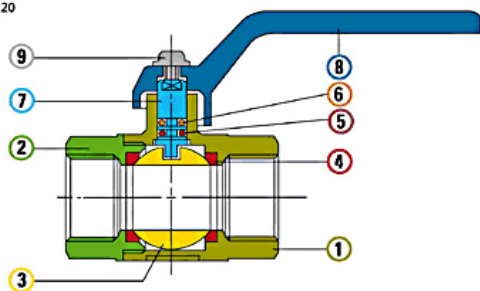
Tech drawings and tables



DN	Code	Ø	H	S	F	CH	PN	KG	P/box
1/2"	024227000004	15	48	59	17	16	64	0,292	10
3/4"	024227000005	20	54	69	18	16	64	0,482	10
1"	024227000007	25	58	83	22	16	64	0,765	8
1"1/4	024227000008	32	71	94	24	16	50	1,191	6
1"1/2	024227000009	40	79	102	24	16	50	1,526	4
2"	024227000011	50	86	124	28	16	50	2,442	4

Technical data

Art. 4220



Materials

1	Body	Brass	CW617N	Nickel-plated
2	Body end	Brass	CW617N	Nickel-plated
3	Ball	Brass	CW617N	Chrome-plated
4	Seats	P.T.F.E.		
5	O-Ring	FKM		
6	O-Ring	NBR		
7	Stem	Brass	CW614N	
8	Lever	Aluminium		Green
9	Screw	Steel		Zinc-plated

Connections

F/F: ISO 7/1Rp (parallel) - M/F: male ISO 7/1R (tapered), female ISO 7/1Rp (parallel)

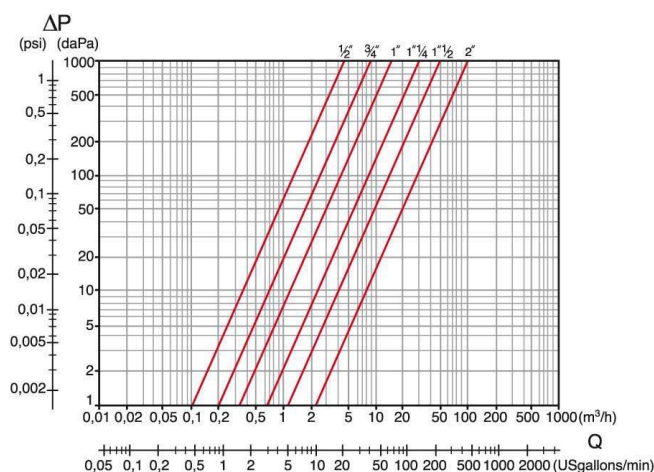
Limit

-20°C (without liquid) +150°C

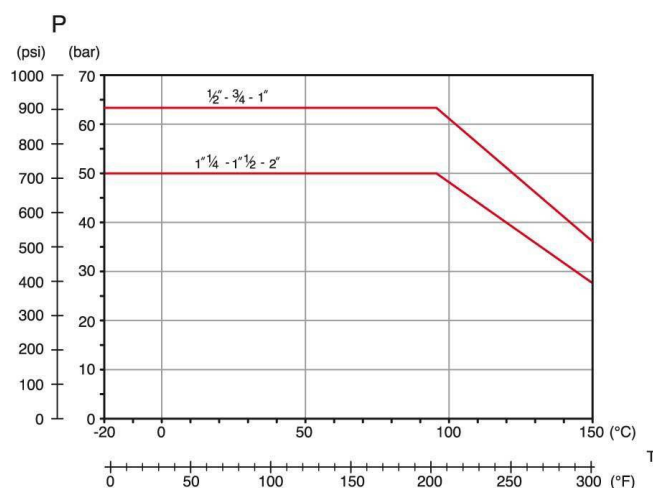
Notes

The max.working pressure (PN) means at a room temperature of about 23°C.

Pressure Loss Chart



Temperature/Pressure



Kv & Cv Coefficients

Size	Kv	Cv
1/2"	15,5	17,9
3/4"	31,0	36,0
1"	52,0	60,0
1"1/4	100,0	116,0
1"1/2	180,0	208,0
2"	350,0	405,0